



Ruthenium Oxide (Rox™) RTDs

RX-102A features

- Standard curve interchangeable
- Good radiation resistance
- Useful down to 50 mK
- Low magnetic field-induced errors

RX-102B features

- Useful down to 10 mK; calibrations down to 20 mK available
- Monotonic from 10 mK to 300 K

RX-202A features

- Standard curve interchangeable
- Good radiation resistance
- Monotonic from 50 mK to 300 K
- 4× improvement in magnetic field-induced errors over other ruthenium oxides

RX-103A features

- Standard curve interchangeable
- Good radiation resistance
- Best choice for interchangeability from 1.4 K to 40 K
- Low magnetic field-induced errors

Ruthenium oxide temperature sensors are thick-film resistors used in applications involving magnetic fields. These composite sensors consist of bismuth ruthenate, ruthenium oxides, binders, and other compounds that allow them to obtain the necessary temperature and resistance characteristics. Each Lake Shore Rox™ model adheres to a single resistance versus temperature curve.

RX-102A

The RX-102A (1000 Ω at room temperature) is useful down to 50 mK and has better interchangeability than the RX-202A as well as low magnetic field-induced errors below 1 K.

RX-102B-CB

The RX-102B-CB (1000 Ω at room temperature) is useful down to 10 mK (calibrations available down to 20 mK) and monotonic from 10 mK to 300 K. The unique package design maximizes thermal connection and minimizes heat capacity at ultra low temperatures. The RX-102B-CB is not interchangeable to a standard curve and not recommended for use in magnetic fields.

RX-202A

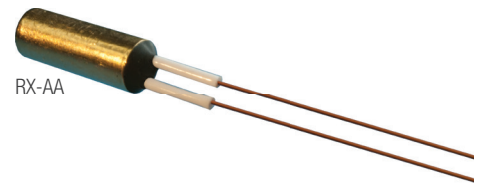
The RX-202A (2000 Ω at room temperature) has a 4× improvement in magnetic field-induced errors over other commercially available ruthenium oxide temperature sensors with similar resistances and sensitivities. Most ruthenium oxide sensors have a maximum useful temperature limit well below room temperature, where the sensitivity changes from negative to positive. The RX-202A however, is designed to have a monotonic response from 0.05 K up to 300 K.

RX-103A

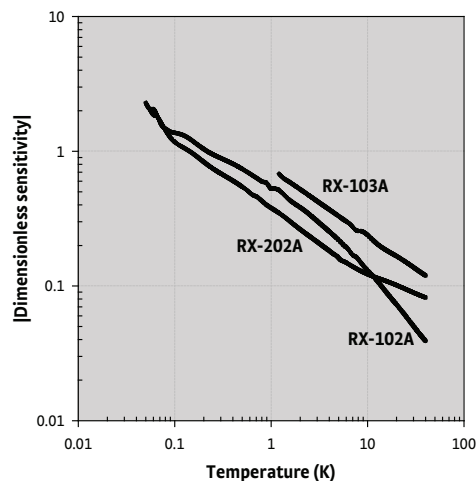
The RX-103A (10,000 Ω at room temperature) has a unique resistance and temperature response curve combined with low magnetic field-induced errors, and is the best choice for interchangeability from 1.4 K to 40 K.

Packaging options

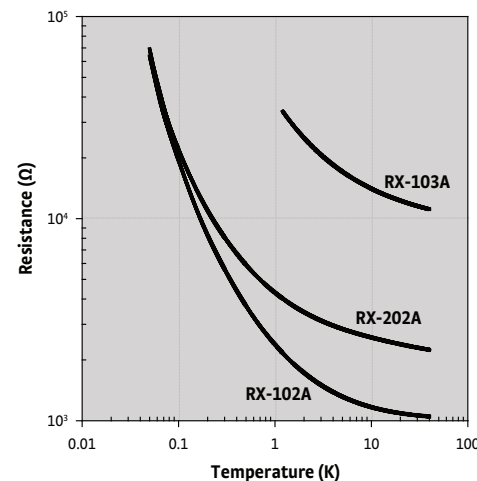
AA, CB, BR



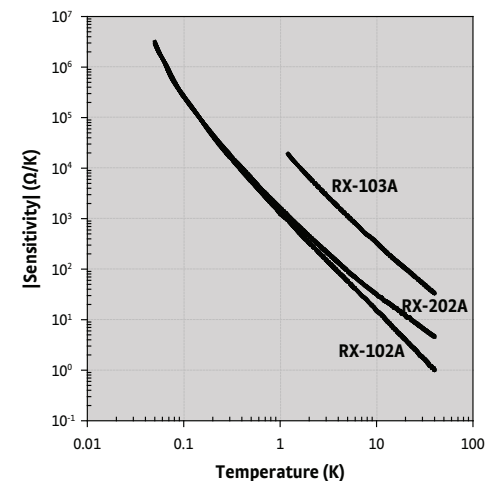
Typical Rox™ resistance



Typical Rox™ sensitivity



Typical Rox™ dimensionless sensitivity



Specifications

Standard Curve¹ 102 and 202: 0.05 K to 40 K;
103: 1.4 K to 40 K

Recommended excitation² RX-102 and RX-202: 20 μ V
(0.05 K to 0.1 K); 63 μ V (0.1 K to 1.2 K); 10 mV or less for
 $T > 1$ K. RX-103: 10 mV or less for $T > 1$ K

Dissipation at recommended excitation 102 and 202:
 7.5×10^{-8} W at 4.2 K; 103: 3.2×10^{-9} W at 1.4 K,
 5.5×10^{-9} W at 4.2 K, 9.6×10^{-9} W at 77 K

Thermal response time 0.5 s at 4.2 K, 2.5 s at 77 K

Use in radiation Recommended—see Appendix B

Use in magnetic field³ Recommended—see Appendix B

Reproducibility⁴ ± 15 mK

Soldering standard J-STD-001 Class 2

¹ 102B does not follow a standard curve

² Recommended excitation for $T < 1$ K based on
Lake Shore calibration procedures using an AC
resistance bridge—for more information refer to
Appendix D and Appendix E

³ 102B not recommended for use in magnetic fields

⁴ Short-term reproducibility data is obtained by subjecting
sensor to repeated thermal shocks from 305 K to 4.2 K

Accuracy: interchangeability

| | RX-102A-AA-M matched | RX-102A-AA unmatched | RX-202A-AA-M matched | RX-202A-AA unmatched | RX-103A-AA-M matched | RX-103A-AA unmatched |
|--------|-------------------------|-------------------------|-------------------------|-------------------------|-------------------------|-------------------------|
| 0.05 K | ± 5 mK | ± 10 mK | ± 10 mK | ± 15 mK | — | — |
| 0.3 K | ± 15 mK | ± 20 mK | ± 20 mK | ± 25 mK | — | — |
| 0.5 K | ± 20 mK | ± 25 mK | ± 25 mK | ± 30 mK | — | — |
| 1.4 K | ± 25 mK | ± 50 mK | ± 50 mK | ± 100 mK | ± 50 mK | ± 150 mK |
| 4.2 K | ± 75 mK | ± 125 mK | ± 150 mK | ± 250 mK | ± 100 mK | ± 400 mK |
| 20 K | ± 500 mK | ± 1.25 K | ± 1 K | ± 2.5 K | ± 700 mK | ± 2 K |
| 40 K | ± 1.5 K | ± 4 K | ± 2 K | ± 5 K | ± 1.5 K | ± 4 K |

Temperature response data table (typical)—See Appendix G for expanded response table

| | 102A | | | 202A | | | 103A | | |
|--------|----------------|----------------------|---------------|----------------|----------------------|---------------|----------------|----------------------|---------------|
| | R (Ω) | dR/dT (Ω/K) | (T/R)-(dR/dT) | R (Ω) | dR/dT (Ω/K) | (T/R)-(dR/dT) | R (Ω) | dR/dT (Ω/K) | (T/R)-(dR/dT) |
| 0.05 K | 63765 | -2888654 | -2.27 | 69191 | -3186379 | -2.3 | — | — | — |
| 0.1 K | 19400 | -266199 | -1.37 | 21927 | -256913 | -1.17 | — | — | — |
| 0.3 K | 5615 | -16647 | -0.89 | 8079 | -18420 | -0.68 | — | — | — |
| 1.4 K | 2005 | -667 | -0.47 | 3820 | -879 | -0.32 | 30745 | -13571 | -0.62 |
| 4.2 K | 1370 | -80.4 | -0.25 | 2929 | -124 | -0.18 | 18149 | -1559 | -0.36 |
| 10 K | 1167 | -15.2 | -0.13 | 2582 | -31.6 | -0.12 | 14083 | -337 | -0.24 |
| 20 K | 1089 | -3.96 | -0.07 | 2389 | -12.1 | -0.1 | 12289 | -102 | -0.17 |
| 40 K | 1049 | -1.03 | -0.04 | 2243 | -4.6 | -0.08 | 11137 | -33 | -0.12 |
| 40 K | 1049 | -1.06 | -0.04 | 2244 | -4.58 | -0.08 | 11150 | -21.7 | -0.08 |

Range of use

| | Minimum limit | Maximum limit |
|------------|---------------------|---------------|
| RX-102A-AA | 0.05 K | 40 K |
| RX-102B-CB | 0.01 K ⁵ | 40 K |
| RX-202A-AA | 0.05 K | 40 K |
| RX-103A-AA | 1.4 K | 40 K |

⁵ Calibrations down to 20 mK available; 10 mK calibrations
coming soon

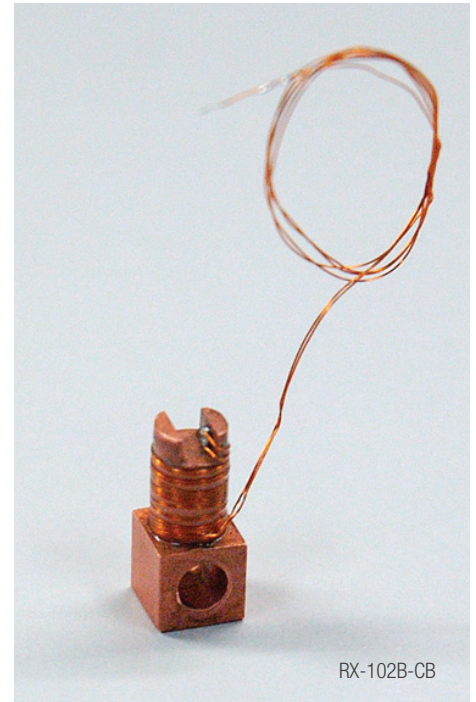
Long-term stability

| | RX- 102A-AA | RX- 102B-CB | RX- 202A-AA | RX- 103A-AA |
|-------|----------------|----------------|----------------|----------------|
| 4.2 K | ± 30 mK | ± 30 mK | ± 50 mK | ± 15 mK |

Calibrated accuracy⁶

| | RX-102A- AA | RX-102B- CB | RX-202A- AA | RX-103A- AA |
|-------|----------------|----------------|----------------|----------------|
| 20 mK | — | ± 2 mK | — | — |
| 50 mK | — | ± 4 mK | — | — |
| 1.4 K | ± 16 mK | ± 16 mK | ± 16 mK | ± 16 mK |
| 4.2 K | ± 16 mK | ± 16 mK | ± 16 mK | ± 17 mK |
| 10 K | ± 18 mK | ± 18 mK | ± 18 mK | ± 22 mK |

⁶ $[(\text{Calibration uncertainty})^2 + (\text{reproducibility})^2]^{0.5}$ for more
information see Appendices B, D, and E



RX-102B-CB



Typical magnetic field-dependent temperature errors $\Delta T/T$ (%) at B (magnetic induction)

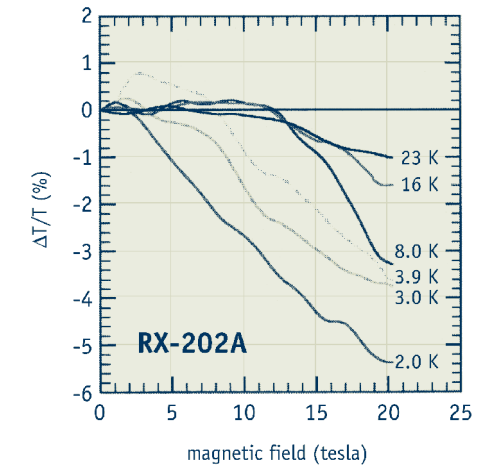
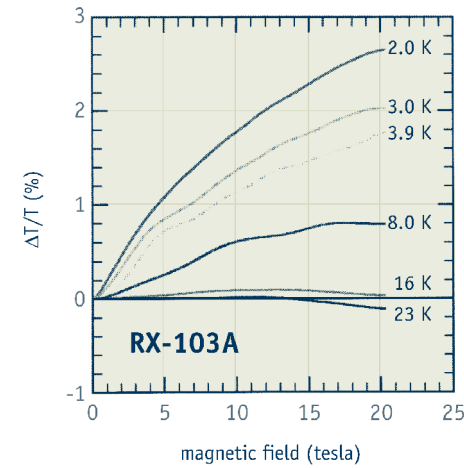
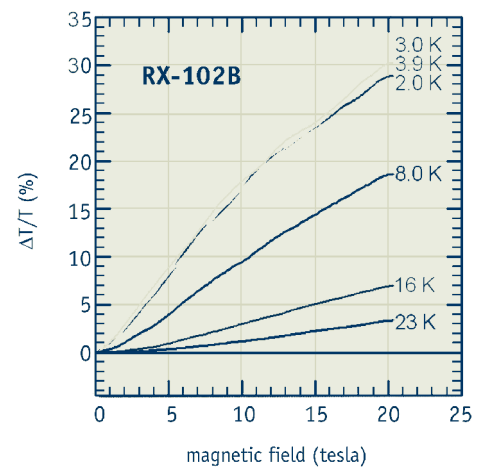
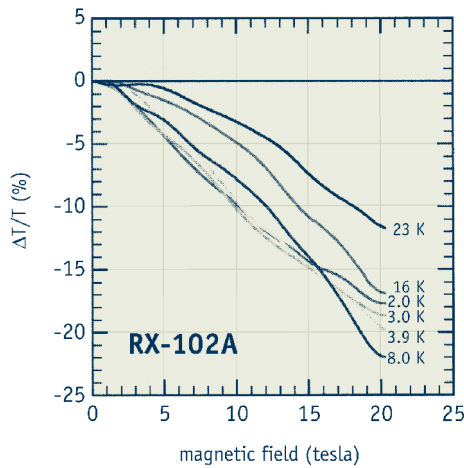
| Rox™ 102A | | | | |
|-----------|-------|------|------|------|
| | 2.5 T | 8 T | 14 T | 19 T |
| 2 K | -1.4 | -7.9 | -13 | -17 |
| 3 K | -1.5 | -7 | -14 | -18 |
| 4 K | -0.56 | -6.7 | -14 | -18 |
| 8 K | -1.3 | -6.1 | -13 | -21 |
| 16 K | -0.40 | -3.4 | -9.6 | -16 |
| 23 K | -0.31 | -2.2 | -6.2 | -11 |

| Rox™ 102B | | | | |
|-----------|-------|-------|-------|-------|
| | 2.5 T | 8 T | 14 T | 19 T |
| 2 K | 3.29 | 13.82 | 22.53 | 27.95 |
| 3 K | 3.96 | 14.68 | 23.12 | 29.12 |
| 4 K | 3.53 | 13.92 | 22.57 | 28.20 |
| 8 K | 1.53 | 7.53 | 13.50 | 17.86 |
| 16 K | 0.27 | 2.14 | 4.66 | 6.58 |
| 23 K | 0.06 | 0.79 | 2.01 | 3.11 |

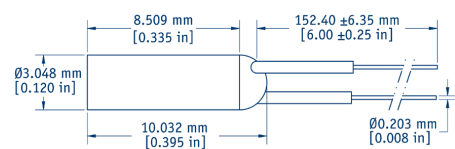
| Rox™ 202A | | | | |
|-----------|--------|-------|-------|-------|
| | 2.5 T | 8 T | 14 T | 19 T |
| 2 K | -0.13 | -2.2 | -3.9 | -5.2 |
| 3 K | 0.18 | -0.68 | -2.7 | -3.7 |
| 4 K | 0.77 | 0.046 | -1.8 | -3.2 |
| 8 K | -0.023 | 0.16 | -0.65 | -3.0 |
| 16 K | 0.03 | 0.16 | -0.48 | -1.5 |
| 23 K | -0.05 | -0.08 | -0.39 | -0.92 |

| Rox™ 103A | | | | |
|-----------|--------|--------|---------|--------|
| | 2.5 T | 8 T | 14 T | 19 T |
| 2 K | 0.58 | 1.5 | 2.2 | 2.6 |
| 3 K | 0.44 | 1.1 | 1.7 | 2.0 |
| 4 K | 0.27 | 0.95 | 1.4 | 1.7 |
| 8 K | 0.11 | 0.49 | 0.71 | 0.80 |
| 16 K | 0.018 | 0.076 | 0.089 | 0.040 |
| 23 K | 0.0051 | 0.0058 | -0.0060 | -0.095 |

Magnetic field dependance data for sample Rox™ RTDs

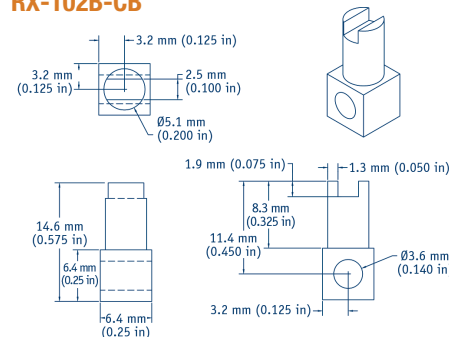


RX-AA



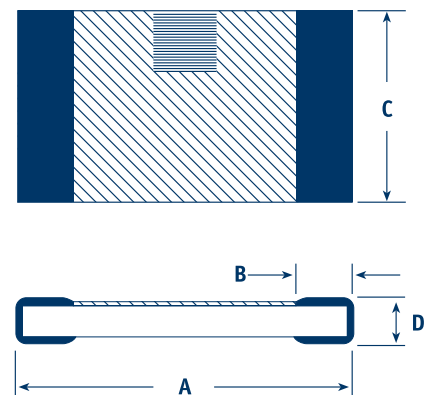
General tolerance of ± 0.127 mm [± 0.005 in] unless otherwise noted

RX-102B-CB



General tolerance of ± 0.127 mm (0.005 in) on X.XXX and ± 0.254 mm (0.01 in) on X.XX unless otherwise noted
Mount using a #6 or M3 screw

Bare chip (see table on page 50)



Packaging options

For more information on sensor packages and mounting adapters, see page 21.



See the appendices for a detailed description of:
Installation
Uncalibrated sensors
SoftCal™
Calibrated sensors
CalCurve™
Sensor packages

To add length to sensor leads (SMOD), see page 25.

Packaging

The Rox™ 202A, 102A, and 103A sensors are available in the Lake Shore standard copper AA canister and the 102B is available in the CB copper block package. Two are available as bare chips for applications requiring a smaller sensor or a faster thermal response time. The RX-102A-BR is a bare chip version of RX-102A. This bare chip features wrap-around noble metal contacts that can be soldered to using standard lead/tin solder. The RX-103A-BR is a bare chip version of the RX-103A. This bare chip has wrap-around pretinned contacts that can be soldered to using standard lead/tin solder. The pretinned contacts increase the sensor thickness from 0.25 mm to 0.41 mm. Leads are not attached to these models, so they are not available as matched or calibrated.

See the Physical Specifications for details and individual dimensions.

Physical specifications

| | Mass | Lead type | Internal atmosphere | Materials used |
|------------|--------|--|---------------------|---|
| RX-102A-AA | 3.3 g | Two 6 in 32 AWG copper leads with heavy build Formvar® attached with epoxy strain relief at sensor—user should branch to 4 (no polarity) | Air | Thick ruthenium dioxide and bismuth ruthenate films with palladium silver contacts, indium solder, aluminum oxide substrate, sapphire header and copper canister with epoxy seal |
| RX-202A-AA | 3.28 g | | | |
| RX-103A-AA | 3.36 g | | | |
| RX-102B-CB | 3.5 g | Two 6 in 36 AWG copper leads with heavy build polyimide insulation | NA | Thick ruthenate dioxide and bismuth ruthenate films on aluminum dioxide substrate with palladium silver contacts; epoxy attachment to OFHC adapter; copper leads indium soldered to chip and heat sunk to copper adapter using VGE 7031 varnish |

| Bare chip | A (chip length) | B (pad width) | C (chip width) | D (thickness) | Materials used |
|------------|-----------------------|-----------------------|-----------------------|-----------------------|--|
| RX-102A-BR | 1.45 mm (0.057 in) | 0.30 mm (0.012 in) | 1.27 mm (0.050 in) | 0.65 mm (0.022 in) | Thick ruthenium dioxide and bismuth ruthenate films with palladium silver contacts |
| RX-103A-BR | 1.40 mm (0.070 in) | 0.21 mm (0.010 in) | 1.23 mm (0.060 in) | 0.41 mm (0.016 in) | |

Ordering information

| Rox™ RTD | Calibration range suffix codes Numeric figure is the low end of the calibration Letters represent the high end: C=1 K, B=40 K, M = matched (calibration of matched sensors is available—consult Lake Shore) | | | | | |
|----------------|--|-------|-------|-------|------|------|
| Part number | Uncal | 0.02C | 0.02B | 0.05B | 0.3B | 1.4B |
| RX-102B-CB | ■ | ■ | ■ | | | |
| RX-202A-AA, CD | ■ | | | ■ | ■ | ■ |
| RX-202A-AA-M | ■ | | | | | |
| RX-102A-AA, CD | ■ | | | ■ | ■ | ■ |
| RX-102A-AA-M | ■ | | | | | |
| RX-102A-BR | ■ | | | | | |
| RX-103A-AA, CD | ■ | | | | | ■ |
| RX-103A-AA-M | ■ | | | | | |
| RX-103A-BR | ■ | | | | | |

Note: the RX-102B-CB is not interchangeable to a standard curve and is not available as matched. Other packaging available through special order—consult Lake Shore

Accessories available for sensors
ECRIT Expanded interpolation table
8000 Calibration report on CD-ROM
COC-SEN Certificate of conformance

Accessories suggested for installation—see Accessories section for full descriptions
Stycast® epoxy VGE-7031 varnish
Apiezon® grease Phosphor bronze wire
90% Pb, 10% Sn solder Manganin wire
Indium solder

